

Industrial 8-Port Gigabit PoE+ 2-Port 1G/2.5G SFP L2 Managed Ethernet Switch

Industrial 4-Port Gigabit PoE++ 4-Port Gigabit PoE+ 2-Port 1G/2.5G SFP L2 Managed Ethernet Switch

Quick Installation Guide

Packing List

Please check the following items after unpacking, if any missing, please contact your local dealer.

Items	Quantity
Switch	1 pc
Mounting Accessory	1 set
Quick Installation Guide	1 pc

Product Overview

This series contains two types:

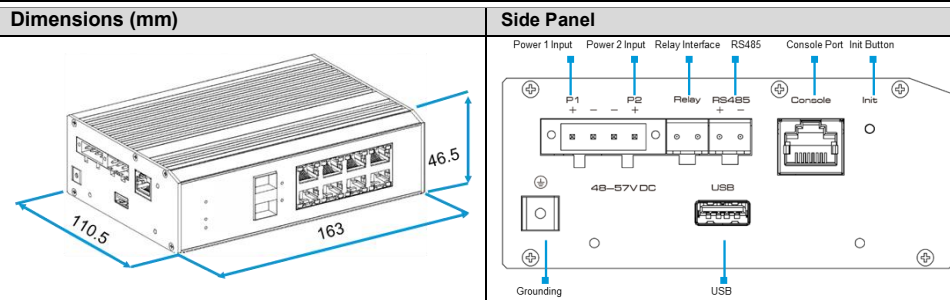
- Industrial 8-Port Gigabit PoE+ 2-Port 1G/2.5G SFP L2 Managed Ethernet Switch
- Industrial 4-Port Gigabit PoE++ 4-Port Gigabit PoE+ 2-Port 1G/2.5G SFP L2 Managed Ethernet Switch

The switches provide 8*10/100/1000Mbps Ethernet RJ-45 ports, 2*1G/2.5Gbps SFP uplink ports. Industrial 8-Port Gigabit PoE+ 2-Port 1G/2.5G SFP L2 Managed Ethernet Switch meets IEEE 802.3af/at standard. All downlink RJ-45 ports support Power-over-Ethernet (PoE+), which can deliver up to 30W power per port. Industrial 4-Port Gigabit PoE++ 4-Port Gigabit PoE+ 2-Port 1G/2.5G SFP L2 Managed Ethernet Switch meets IEEE 802.3af/at/bt standard. All RJ-45 ports support Power-over-Ethernet, 1~4 ports deliver up to 90W (PoE++) power per port, 5~8 ports deliver up to 30W (PoE+) power per port.

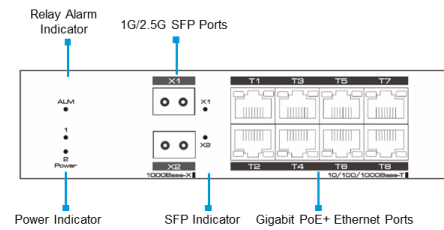
The switches support PoE watchdog features, which can detect and restart the camera automatically if it stops working. It supports the Q-PoE (Quick PoE) technology, which enables PoE power supply immediately upon switch startup without waiting for switch system software control. It supports the P-PoE (Perpetual PoE) technology, which enables PoE power supply without interruption when switch is restarting and restores network quickly.

The switches have extensive L2 management functions, such as 802.1Q VLAN, 802.1p QoS, SNMP, Fast-Ring, and PoE control. It can be easily managed via a WEB GUI (http/https), CLI (telnet/ssh/console) or SNMP.

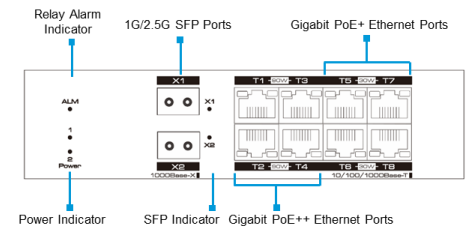
Appearance and Dimensions



Industrial 8-Port Gigabit PoE+ 2-Port 1G/2.5G SFP L2 Managed Ethernet Switch Front Panel



Industrial 4-Port Gigabit PoE++ 4-Port Gigabit PoE+ 2-Port 1G/2.5G SFP L2 Managed Ethernet Switch Front Panel



Indicator

Indicator		Status	Description	
P1,P2	Power Indicator	Red	Solid On	Power is on.
			Off	Power is off.
X1,X2	SFP Indicator	Green	Solid On	SFP is linked
			Off	SFP is not linked

Factory settings

Items	Specifications
Management Interfaces	
Console Port (Sub-D9 to RJ-45)	Enabled Baud rate: 115200 bit/s Flow control: No flow control Parity: No parity check Stop bits: 1 Data bits: 8
SSH	Enabled
Telnet	Enabled
SNMP	Enabled
Web Manager	Enabled
User level	User: admin Password: admin Access privilege: 15 (Full access rights. This user can adjust all settings of the switch.)

IP Configuration

Default static IP address	192.168.1.200
Default subnet mask	255.255.255.0

Init Button

The init button has two operating modes.

- By short pressing the button, the switch will be reset and the configuration is as previous setting saved.
- By pressing the button over 5s, the switch will be restored to the original factory default setting.

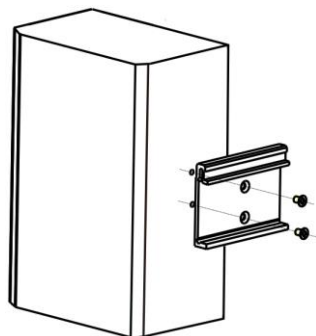
Caution

- Power on the system only after confirming that the wiring is correct, to avoid damage to the equipment. It is recommended to use the power adapter and power cable in the package to connect the power supply.
- For better transmission performance, it is recommended to use Cat5 or better cable to connect the switch and powered devices.
- For better protection performance, it is recommended to always make the ground connection first and disconnect it at the end when operating the device.
- Before operating or maintaining the switch, please read the user manual carefully to avoid equipment damage caused by misoperation.

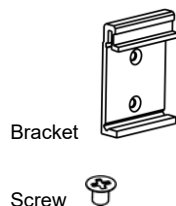
Product Installation

- 1) Before installation, power off the equipment. Installation when device is powered on is prohibited.
- 2) The switch supports DIN-rail/desktop/wall mounted installation. Following with the DIN-rail mounted installation steps:

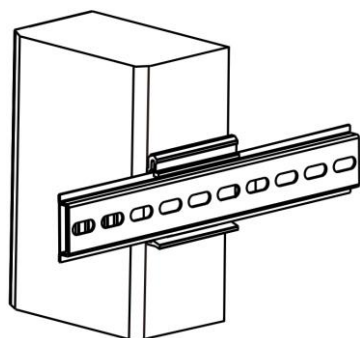
Step 1: Fix the bracket to the backside of the device with screws.



Accessories



Step 2: Install the device to the DIN rail.



- 3) After the above steps are completed, connect the switch and other equipment using a high-performance Ethernet cable.
 - 4) Check the installation and the wiring. After confirming that the connection is correct and reliable, power on the switch.
- The installation is completed.

Specifications

Items	Industrial 8-Port Gigabit PoE+ 2-Port 1G/2.5G SFP L2 Managed Ethernet Switch	Industrial 4-Port Gigabit PoE++ 4-Port Gigabit PoE+ 2-Port 1G/2.5G SFP L2 Managed Ethernet Switch
Hardware Specifications		
Ethernet Port	8*10/100/1000BASE-T PoE+ RJ-45 (Auto-MDI/MDI-X)	4*10/100/1000BASE-T PoE++ RJ-45 (Auto-MDI/MDI-X)
	4*10/100/1000BASE-T PoE+ RJ-45 (Auto-MDI/MDI-X)	
2*1G/2.5GBASE-X SFP (The default value is 1G)		
Management Port	1*RJ-45 Console	
	1*RS485	
	1*Relay	
Serial Port	RS-485 signal: D+, D-	
	Check bit: None, Even, Odd, Space, Mark	
	Data bit: 5, 6, 7, 8bit	
	Stop bit: 1, 1.5, 2bit	
	Baud rate: 300~115200bps	
Load capacity: RS-485 port supports 32-point polling environment (128-point could be customized)		
Direction control: RS-485 adopts automatic data flow control technology		
USB Port	USB3.0	
Init Button	Short press to restart the device, Long press >5s to initialize the system	
LED Indicators	2*PWR, power indicators	
	1*ALM, alarm indicator	
2*Link/Act, SFP indicators		
Cable	Cat5 or better	
Dimensions (W*D*H)	163mm*110.5mm*46.5mm	
Net Weight	0.79kg	
Input Voltage	Power 1 (Main): 48~57V DC, Power 2 (Backup): 48~57V DC	
Power Consumption	≤250W (Full load including PoE)	≤370W (Full load including PoE)
Installation	DIN-rail/Desktop/Wall mounted	
Material	Metal shell	
Switch Property		
Forwarding Modes	Store and Forward	
Switching Capacity	26Gbps/non-blocking	
Packet Forwarding Rate	19.344Mpps	
MAC Table	16k, support auto learning	
Port Buffer	2MB	
Jumbo Frame	9kB	
Power Supply		
PoE Standard	IEEE 802.3af/at	IEEE 802.3af/at/bt
PoE Power Supply Type	End-span	
PoE Pin Assignment	1/2(+), 3/6(-)	1~4 ports: 3/6/4/5(+), 1/2/7/8(-); 5~8 ports: 1/2(+), 3/6(-)
PoE Budget	30W max for each port, 240W max for whole switch	1~4 ports: 90W max for each port, 5~8 ports: 30W max for each port, 360W max for whole switch
Reliability		
ESD	IEC61000-4-2, Level 3: Contact Discharge: ±6kV, Air Discharge: ±8kV	
Surge Protection	IEC61000-4-5, Power: 4kV, Data Port: 6kV	
Operating	-40°C ~75°C, 5%~95% (Non-condensation)	
Storage	-40°C ~85°C, 5%~95% (Non-condensation)	
Certifications		
Certifications	CE, FCC	

Version: V1.1, updated 2023-04-03.

The information in this document is subject to change without notice.

Every effort has been made in the preparation of this document to ensure accuracy of the contents, but all statements, information, and recommendations in this document do not constitute a warranty of any kind, express or implied.